

# POLYESTER ENCLOSURES





**UCP** **164**  
polyester

IP66;  
NEMA 4, 4X, 12, 13  
IK10, IK07

H: 315-1035  
W: 215-835  
D: 170-300



**UDP** **170**  
polyester

IP 65, 55;  
NEMA 4, 4X, 12, 13;  
IK 10, IK 07

H: 500-1250  
W: 500-1250  
D: 320



**UCP Accessories**

Mounting plates	167
Wall mounting brackets	167
Locks	167
Mounting frames	168
Cover plates	169



**UDP Accessories**

Mounting plates	173
Rain hood	174
Wall mounting brackets	174
Plinth	174
Pole mounting	175
Combining kits	176
Inner doors	177
Locks	177

**General Accessories** **286**



## Polyester Uniplast enclosures



- ◆ Cabinets are maintenance free and corrosion resistant.
- ◆ Different mounting possibilities.
- ◆ Sealing is ensured by an injected one piece polyurethane gasket.
- ◆ Door lifter ensuring the door returns to it's centre position when closing (as from UCP/UCPT 750).
- ◆ Cable access totally variable (no gland plate opening).
- ◆ Approvals and certifications.

IP 66 / 65 / 55

## Uniplast Compact

### UCP/UCPT

#### Uniplast Enclosure Compact Version

The Uniplast range of Compact polyester enclosures, conforms to IP 66. Uniplast Compact is a fibre-glass reinforced polyester design, and is double insulated to give maximum safety to users. A large range of standard sizes and numerous mounting possibilities makes Uniplast Compact extremely flexible.



IP66 / NEMA 4, 4X, 12, 13  
IK10 / IK07



#### Technical data

**Material:** Fibre-glass reinforced polyester. UCPT viewing area: polycarbonate.

**Body:** Monoblock moulded 3mm thick. Four holes for direct wall fixing. Without gland plate openings.

**Door:** Door with or without window and 180° opening. For UCP/UCPT750 and above a door support is supplied for easier closing. Sealing is by an injected one piece polyurethane gasket.

**Lock:** Double-bit 3mm insert and 90° movement. UCP/UCPT540 and above have three locking points. Other locks are available as an accessory.

**Temperature resistance:** -50°C to 70°C in continuous use (peak temperatures up to 150°C).

**Characteristics:** Self extinguishing and halogen free. Double isolated according to EN60439-1. Rated insulation voltage  $U_i=1000V$ .

**Protection:** Complies with IP 66 and NEMA 4, 4X, 12 and 13. Impact resistance IK 10 (IK 07 for enclosures with transparent door)

**Finish:** RAL 7035, precoloured raw material.

**Delivery:** Enclosure with door, fixing screws for the mounting plate and a self adhesive rain strip.

**Approvals:** CE. For CSA and UL approvals, please contact our sales department.



## Uniplast Compact

UCP/UCPT, IP66 / NEMA 4, 4X, 12, 13 IK10 / IK07

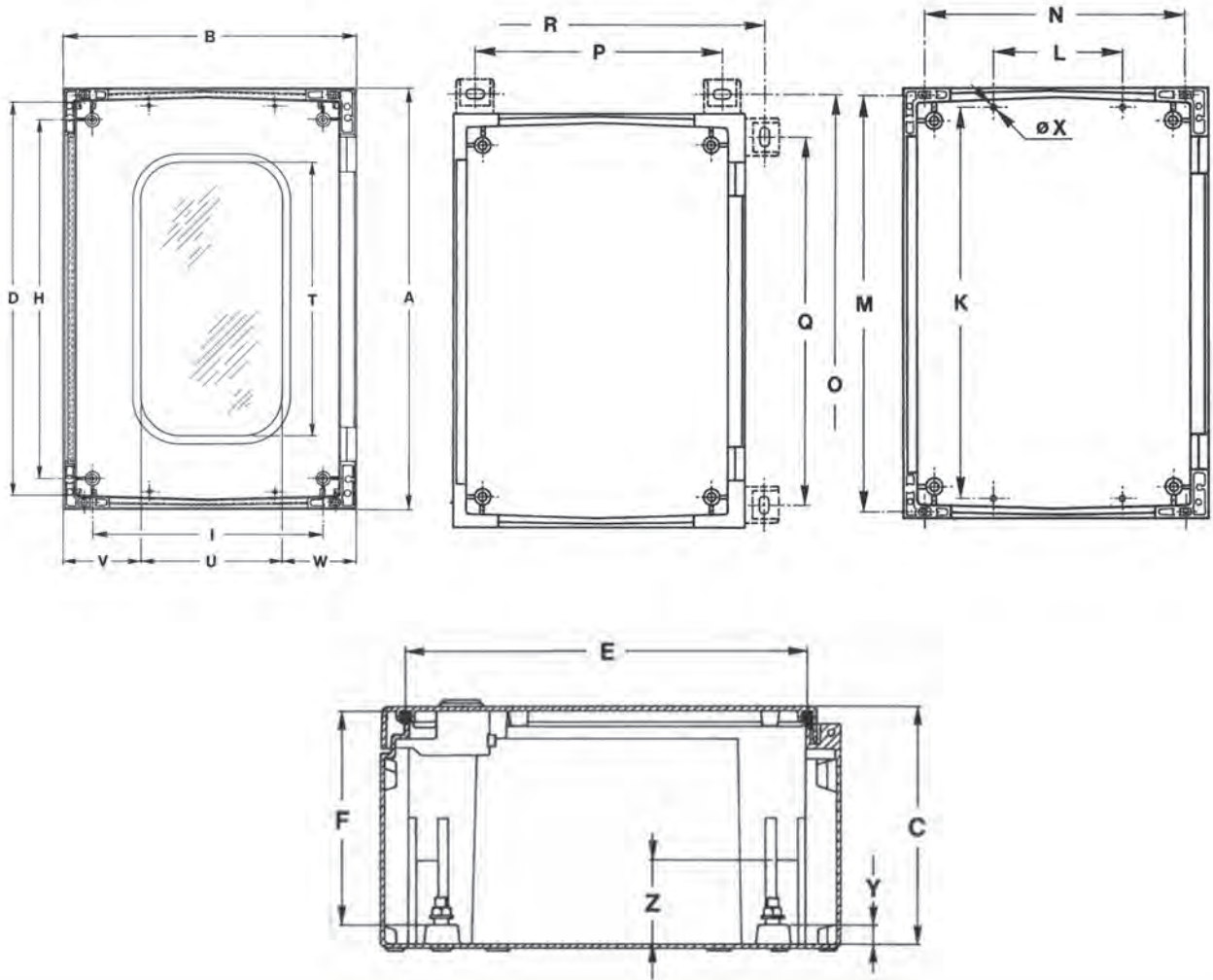
### Plain door

H	W	D	Weight	N° of locking points	Part No.
315	215	170	2.60	1	UCP320
415	315	170	3.68	1	UCP430
515	415	230	6.58	3	UCP540
615	415	230	7.53	3	UCP640
735	535	270	12.00	3	UCP750
835	635	300	16.00	3	UCP860
1035	835	300	23.10	3	UCP1080

### Transparent door

H	W	D	Weight	N° of locking points	Part No.
415	315	170	3.68	1	UCPT430
515	415	230	6.58	3	UCPT540
615	415	230	7.53	3	UCPT640
735	535	270	12.00	3	UCPT750
835	635	300	16.00	3	UCPT860
1035	835	300	23.10	3	UCPT1080

**Dimensions**



UCP/UCPT	320	430	540	640	750	860	1080
A	315	415	515	615	735	835	1035
B	215	315	415	415	535	635	835
C	170	170	230	230	270	300	300
D	275	375	475	575	675	775	975
E	170	270	370	370	470	570	770
F	148	148	208	208	248	278	277
H	225	325	425	525	625	725	925
I	125	225	325	325	425	525	725
K	275	375	475	575	675	775	975
L	70	150	200	200	300	400	600
M	295	395	495	595	-	-	-
N	155	255	355	355	-	-	-
O	362	462	562	662	782	882	1082
P	162	262	362	362	482	582	782
Q	262	362	462	562	682	782	982
R	262	362	462	462	582	682	882
T	-	280	380	480	580	680	880
U	-	130	230	230	330	430	630
V	-	70	70	70	80	80	80
W	-	115	115	115	125	125	125
X	6	6	6	6	8	8	8
Y	14	14	15,5	15,5	15,5	15,5	15,5
Z	28	25	88	88	118	48	148



## Uniplast Compact accessories

### UMPZ C, Steel mounting plate



**Description:** Steel mounting plate for UCP/UCPT enclosures.  
**Material:** 2mm galvanized steel.  
**Pack quantity:** 1 piece.

For enclosure				
H	W	h	w	Part No.
315	215	250	150	UMPZ320
415	315	350	250	UMPZ430
515	415	450	350	UMPZ540
615	415	550	350	UMPZ640
735	535	650	450	UMPZ750
835	635	750	550	UMPZ860
1035	835	950	750	UMPZ1080

### UMPP C, Insulated mounting plate



**Description:** Insulated mounting plate for UCP/UCPT enclosures.  
**Material:** 5mm pertinax.  
**Pack quantity:** 1 piece.

For enclosure				
H	W	h	w	Part No.
315	215	250	150	UMPP320
415	315	350	250	UMPP430
515	415	450	350	UMPP540
615	415	550	350	UMPP640
735	535	650	450	UMPP750
835	635	750	550	UMPP860
1035	835	950	750	UMPP1080

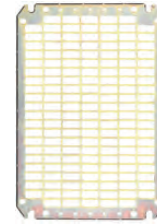
### UWMB, Wallmounting brackets



**Description:** Mounting brackets for wall fixing UCP enclosures. It gives a clearance of 20mm between the enclosure and the wall.  
**Pack quantity:** 4 brackets with mounting accessories.

Material	Part No.
Polyamide	UWMB01
304 Stainless Steel	UWMB02

### UMPT C, Telequick mounting plate



**Description:** Telequick mounting plate for UCP/UCPT enclosures.  
**Material:** 1.5mm perforated steel.  
**Pack quantity:** 1 piece.

For enclosure				
H	W	h	w	Part No.
315	215	250	150	UMPT320
415	315	350	250	UMPT430
515	415	450	350	UMPT540
615	415	550	350	UMPT640
735	535	650	450	UMPT750
835	635	750	550	UMPT860
1035	835	950	750	UMPT1080

### UCD, Depth adjustment kit



Part No.
UCD01

### UDH C, Handles



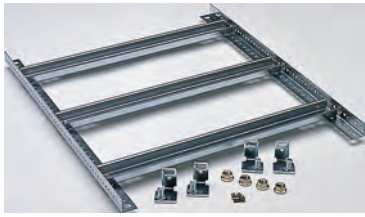
**Description:** Swinghandle to replace the standard lock in UCP/UCPT enclosures. For the swinghandle UDH2C and UDH3C, machining is required.  
**Delivery:** 1 piece with mounting accessories.

Description	Part No.
Neutral handle	UDH0C
Handle with key E2432	UDH1C
Swinghandle for half cylinder	UDH2C
Swinghandle for pad-locking	UDH3C
Small swinghandle for half cylinder*	UDH2CS

\*to be used for UCP320/UCP430

## Uniplast Compact accessories

### UMF, Mounting frame



**Description:** For easy mounting of DIN-rail components. The DIN-rails are adjustable in height.

**Material:** Galvanized steel.

**Delivery:** Vertical profiles, reinforced DIN-rails, supporting brackets and mounting accessories.

For enclosure		N° of modules	N° of rows	Part No.
H	W			
315	215	12	2	UMF3202
415	315	24	2	UMF4302
515	415	54	3	UMF5403
615	415	54	3	UMF6403
735	535	88	4	UMF7503
835	635	96	4	UMF8604
1035	835	180	5	UMF10805

### UFCP P, Plain full cover plate Full



**Description:** Plain front cover plate to protect the equipment mounted in the enclosure.

**Material:** Polyester.

**Finish:** RAL 7035.

**Delivery:** Cover plate, supporting brackets, one quarter turn fasteners and mounting accessories.

For enclosure				Part No.
H	W	h	w	
315	215	250	122	UFCP3200
415	315	350	222	UFCP4300
515	415	450	322	UFCP5400
615	415	550	322	UFCP6400
735	535	660	422	UFCP7500
835	635	760	522	UFCP8600
1035	835	960	722	UFCP1080

### UFCP D, Cover plate with DIN cut-outs



**Description:** Front cover plate with cut-outs for DIN components. The mounting frame with DIN rails UMFxxxx must be ordered separately.

**Material:** Polyester.

**Finish:** RAL 7035.

**Delivery:** Cover plate, supporting brackets, one quarter turn fasteners and mounting accessories.

For enclosure		d	N° of modules	N° of rows	Part No.
H	W				
315	215	125	12	2	UFCP3201
415	315	150	24	2	UFCP4301
515	415	150	54	3	UFCP5401
615	415	150	54	3	UFCP6401
735	535	150	88	4	UFCP7501
835	635	150	112	4	UFCP8601
1035	835	150	200	5	UFCP1081

### UHS, Hinge support



**Description:** To be used when a hinged cover plate is required. (UFCP).

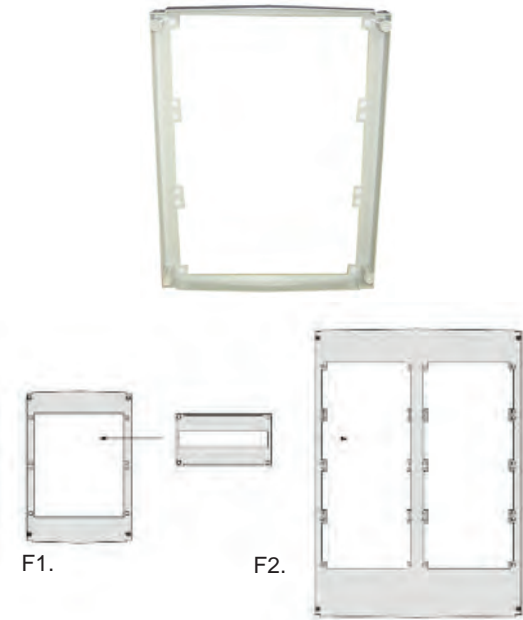
**Delivery:** 2 pieces with mounting accessories.

Part No.
UHS01



## Uniplast Compact accessories

### UFCP I, Frame for individual cover plates



**Description:** Frame to be covered with individual cover plates UICP. For enclosures 600 and 800 mm wide it has 2 columns.  
**Material:** Polyester.  
**Finish:** RAL 7035.  
**Delivery:** Frame, supporting brackets, one quarter turn fasteners and mounting accessories.

For enclosure		N° Individual cover plates	N° columns	Part No.
H	W			
415	315	2	F1	UFCP4302
515	415	3	F1	UFCP5402
615	415	3	F1	UFCP6402
735	535	4	F1	UFCP7502
835	635	8	F2	UFCP8602
1035	835	10	F2	UFCP1082

F.1= Single; F.2= Double.

### UPVD, Air ventilation grids IP 44



**Description:** For ventilating the enclosure, can be concealed if mounted on the inside panel of the double-panelled corner. Machining is required (hole 34.9mm diameter).  
**Material:** Polyester.  
**Protection degree:** IP 44.  
**Pack quantity:** 2 pieces.

Part No.
UPVD01

### UICP P, Plain individual cover plate



**Description:** Individual plain cover plate to be mounted in the frame UFCP I, the height of the cover is 150mm.  
**Material:** PVC.  
**Finish:** RAL 7035.  
**Delivery:** 1 piece with mounting accessories.

For enclosure				Part No.
H	W	h	w	
415	315	150	255	UICP4300
515	415	150	322	UICP5400
615	415	150	355	UICP6400
735	535	150	455	UICP7500
835	635	150	455	UICP8600
1035	835	150	355	UICP1080

### UICP D, Slotted individual cover plate



**Description:** Individual slotted cover plate to be mounted in the frame UFCP I, the height of the cover is 150mm.  
**Material:** PVC.  
**Finish:** RAL 7035.  
**Delivery:** 1 piece with mounting accessories.

For enclosure				N° of modules	Part No.
H	W	h	w		
415	315	150	255	12	UICP4301
515	415	150	322	17	UICP5401
615	415	150	355	18	UICP6401
735	535	150	455	22	UICP7501
835	635	150	455	12	UICP8601
1035	835	150	355	18	UICP1081

## Uniplast Modular

### UDP/UDPT

#### Uniplast Enclosure Modular version

The Uniplast range of Modular polyester enclosures, conforms to IP65. Uniplast Modular is a fibre-glass reinforced polyester design, and is double insulated to give maximum safety to users. Different modular enclosures can be joined together to achieve larger configurations.



IP 65/IP 55 NEMA 4, 4X, 12, 13  
IK 10 / IK 07



#### Technical data

**Material:** Fibre-glass reinforced polyester. UDPT viewing area: polycarbonate.

**Body:** Modular moulded, with rear fixing holes. Direct fixing to the wall or by use of wallmounting brackets, to a pole by use of UPM or to the floor by use of the plinth UPP or DIN-base UAF and UMPS. **Door:** Flush mounted door with or without window and 100° opening. For larger sizes a door support is supplied for easier closing. Sealing is by an injected one piece polyurethane gasket.

**Lock:** Premounted handle suitable for all types of half cylinder locks (standard depth of 40mm). Five locking points (three points in 500mm width enclosures)

**Temperature resistance:** -50°C to 70°C in continuous use (peak temperatures up to 150°C).

**Characteristics:** Self extinguishing and halogen free. Double isolated according to EN60439-1. Rated insulation voltage  $U_i=1000V$ .

**Protection:** Complies with IP 65 and NEMA 4, 4X, 12 and 13 (IP 55 for enclosures with transparent door). Impact resistance IK 10 (IK 07 for enclosures with transparent door).

**Finish:** RAL 7035, precoloured raw material.

**Delivery:** Enclosure with door, fixing screws for the mounting plate and wallmounting brackets. (Lock cylinder is not included in the delivery)

**Approvals:** CE. For CSA and UL approvals, please contact our sales department.



## Uniplast Modular Uniplast Modular

UDP/UDPT, IP 65/IP 55NEMA 4, 4X, 12, 13 IK 10 / IK 07

### Plain door

H	W	D	Weight	N° of doors	Part No.
500	500	320	16	1	UDP5050
	750	320	19	1	UDP5075
750	500	320	20	1	UDP7550
	750	320	25	1	UDP7575
	1000	320	30	1	UDP75100
	500+750	320	38	2	UDP75125
1000	500	320	25	1	UDP10050
	750	320	30	1	UDP10075
	1000	320	36	1	UDP100100
	500+500	320	39	2	UDP100102
	500+750	320	41	2	UDP100125
1250	750	320	37	1	UDP12575
500+750	1000	320	45	2	UDP125100
500+750	1000	320	45	2	UDP125102

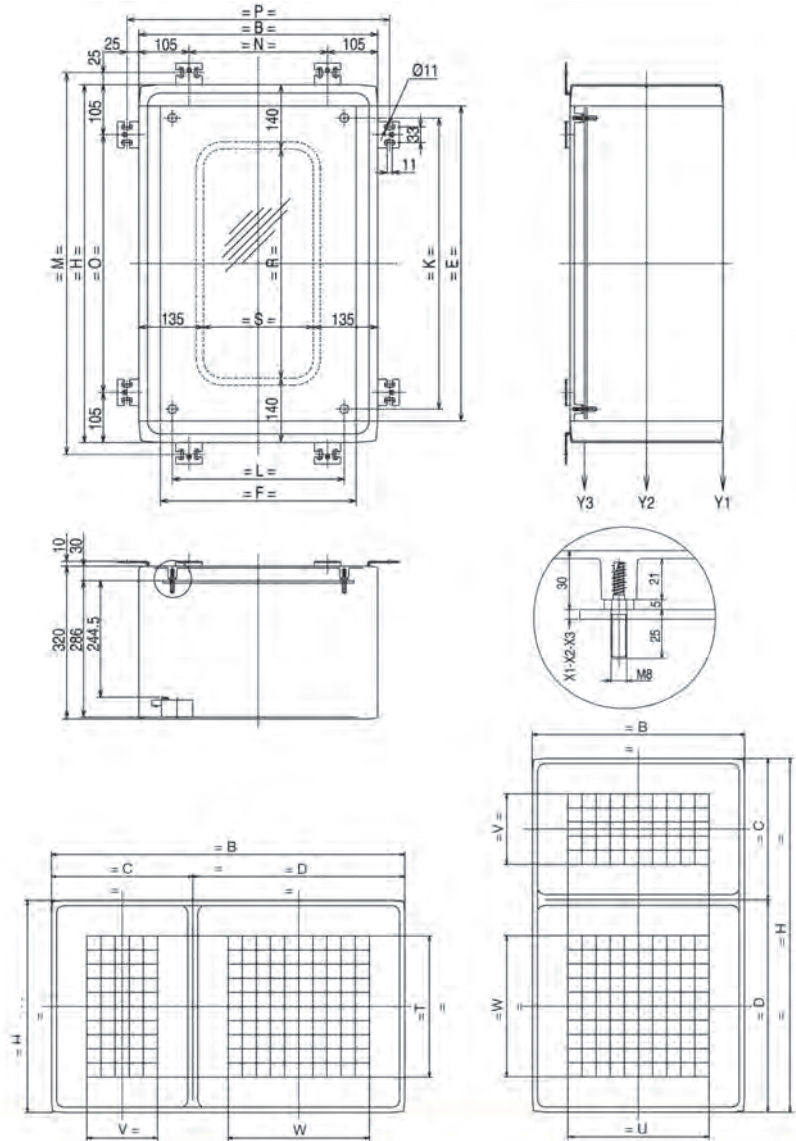
### Transparent door

H	W	D	Weight	N° of doors	Part No.
500	500	320	16	1	UDPT5050
	750	320	19	1	UDPT5075
750	500	320	20	1	UDPT7550
	750	320	25	1	UDPT7575
	1000	320	30	1	UDPT75100
1000	500	320	25	1	UDPT10050
	750	320	30	1	UDPT10075
1250	750	320	37	1	UDPT12575

	500	750	1000	1250
500				
750				
1000				
1250				



Dimensions



UDP/UDPT	Enclosure external dimension		Door Dimension		Enclosure Internal Dimension		Mounting plate Fixation		Centres for wallmounting				Window Surface		Usable mounting space on the doors			Thickness of the MP x1 Pertinax 5mm x2 Telequick 2mm x3 Pertinax 10mm			Admissible charge in kg			
	H	B	C	D	E	F	K	L	M	N	O	P	R	S	T	U	V	W	X1	X2	X3	Y1	Y2	Y3
UDP 5050	500	500			410	410	360	360	550	290	290	550	220	230	250	250			5	2		8	80	110
UDP 5075	500	750			410	660	360	610	550	540	290	800	220	480	250	500			5	2		8	80	110
UDP 7550	750	500			660	410	610	360	800	290	540	550	470	230	500	250			5	2		8	80	110
UDP 7575	750	750			660	660	610	610	800	540	540	800	470	480	500	500			5	2		8	80	110
UDP 75100	750	1000			660	910	610	860	800	790	540	1050	470	730	500	750			5	2		6	80	110
UDP 75125	750	1250	750	750	660		610	1110	800	1040	540	1300			500			5	2		5	80	110	
UDP 10050	1000	500			910	410	860	360	1050	290	790	550	720	230	750	250	250	500	5	2	10	8	80	110
UDP 10075	1000	750			910	660	860	610	1050	540	790	800	720	480	750	500			5	2		8	80	110
UDP 100100	1000	1000			910	910	860	860	1050	790	790	1050	720	730	750	750			5	2	10	6	80	110
UDP 100102	1000	1000	500	500	910		860	860	1050	790	790	1050			750		250	250	5	2	10	6	80	110
UDP 100125	1000	1250	500	750	910		860	1110	1050	1040	790	1300			750		250	500	5	2	10	5	80	110
UDP 12575	1250	750			1160	660	1110	610	1300	540	1040	800	970	480	1000	500			5	2	10	8	80	110
UDP 125100	1250	1000	500	750		910	1110	860	1300	790	1040	1050				750	250	500	5	2	10	6	80	110
UDP 125102	1250	1000	500	750		910	1110	860	1300	790	1040	1050				750	250	500	5	2	10	6	80	110



## Unioplast Modular accessories

### UMPZ M, Steel Mounting Plate



**Description:** Steel mounting plate for UDP/UDPT enclosures.  
**Material:** 2mm galvanized steel.  
**Pack quantity:** 1 piece.

For enclosure				
H or W	W or H	h or w	w or h	Part No.
500	500	390	390	UMPZ5050
	750	640	390	UMPZ5075
750	750	640	640	UMPZ7575
	1000	890	640	UMPZ75100
	1250	1140	640	UMPZ75125
1000	500	390	890	UMPZ100500
	1000	890	890	UMPZ100100
	1250	1140	890	UMPZ100125

### UMPP M, Insulated mounting plate



**Description:** Insulated mounting plate for UDP/UDPT enclosures.  
**Material:** 5mm pertinax.  
**Pack quantity:** 1 piece.

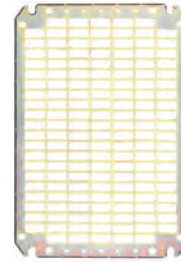
For enclosure				
H or W	W or H	h or w	w or h	Part No.
500	500	390	390	UMPP5050
	750	640	390	UMPP5075
750	750	640	640	UMPP7575
	1000	890	640	UMPP75100
	1250	1140	640	UMPP75125
1000	500	390	890	UMPP10050
	1000	890	890	UMPP100100
	1250	1140	890	UMPP100125

### UMPB M, Insulated mounting plate 10 mm

**Description:** Insulated mounting plate for UDP/UDPT enclosures.  
**Material:** 10mm pertinax.  
**Pack quantity:** 1 piece.

For enclosure				
H or W	W or H	h or w	w or h	Part No.
750	1250	1140	640	UMPB75125
1000	1000	890	890	UMPB100100
	1250	890	890	UMPB100125

### UMPT M, Telequick mounting plate



**Description:** Telequick mounting plate for UDP/UDPT enclosures.  
**Material:** 2mm perforated steel.  
**Pack quantity:** 1 piece.

For enclosure				
H	W	h	w	Part No.
500	500	390	390	UMPT5050
	750	390	640	UMPT5075
750	500	640	390	UMPT7550
	750	640	640	UMPT7575
	1000	640	890	UMPT75100
	1250	640	1140	UMPT75125
1000	500	890	390	UMPT100500
	750	890	640	UMPT10075
	1000	890	890	UMPT100100
	1250	890	1140	UMPT100125
1250	750	1140	640	UMPT12575
	1000	1140	890	UMPT125100

### UPD, Depth adjustment kit



**Description:** Provides mounting plate adjustment in steps of 12.5mm.  
**Material:** Galvanized steel.  
**Delivery:** 4 brackets, four depth profiles and mounting accessories.

Part No.
UPD01

### UMF M, Adjustable vertical mounting profiles



**Description:** Vertical C-profiles fully adjustable in depth.  
**Delivery:** 4 supporting brackets, 4 depth profiles, 2 vertical C-profiles and mounting accessories.

For enclosure	
H	Part No.
500	UMF500
750	UMF750
1000	UMF1000
1250	UMF1250

## Uniplast Modular accessories

### URH, Rain hood



**Description:** Extra protection for outdoor use. Ventilation holes can be drilled in the top of the enclosure and the rain hood will maintain protection rating to IP 44/54. Rain hoods require special wall mounting brackets UWB02. Four fixing points for securing rain hood are marked off in top panel. The rain hood cannot be used when the enclosures are joined, some combinations are available on request. Machining is required.

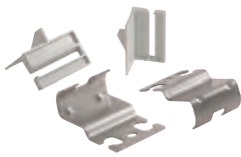
**Material:** Fibre-glass reinforced polyester.

**Finish:** RAL 7035.

**Delivery:** 1 piece with mounting accessories.

For enclosure		
W		Part No.
500		URH5032
750		URH7532
1000		URH10032
1250		URH12532

### UWB R, Wall mounting brackets for enclosures with rain hood



**Description:** Wall mounting brackets for UDP enclosures with rainhood. Can be mounted in horizontal position only. Easy mounting without screws, even with the enclosure finished and closed.

**Material:** Stainless steel type 304.

**Delivery:** 4 brackets and four plastic clips.

Part No.
UWB02

### UWB S, Standard Wall mounting brackets



**Description:** Wall mounting brackets for UDP enclosures. Can be mounted in vertical or horizontal position. Easy mounting without screws, even with the enclosure finished and closed. These brackets are supplied as standard with all the UDP/UDPT enclosures.

**Material:** Stainless steel type 304.

**Delivery:** 4 brackets and four plastic clips.

Part No.
UWB01

### UAF, Adaptor frame for DIN-base



**Description:** Enclosure and adaptor frame are anchored on the DIN-base.

**Material:** Fibre-glass reinforced polyester.

**Finish:** RAL 7035.

**Delivery:** 1 piece with mounting accessories.

For enclosure			
W	D		Part No.
750	320		UAF7532
1000	320		UAF10032

### UMPS, Polyester DIN-base



**Description:** DIN-base pedestals.

**Material:** Fibre-glass reinforced polyester.

**Finish:** RAL 7035.

**Delivery:** 1 piece with mounting accessories.

h	w	d	Part No.
900	1110	310	UMPS10032
	780	310	UMPS7532



## Uniplast Modular accessories

### UPM, Pole mounting kits



**Description:** At the rear of the enclosure, C-profiles are mounted on the wall mounting brackets UWB, which are included in the enclosure. Around the pole, a steel holding band is installed. On the C-profiles, clamps are placed to fix the holding band securely.  
**Delivery:** Two C-profiles and four clamps. The steel holding band not included.

For enclosure		
W		Part No.
500		UPM500
750		UPM750

### UPP, Plinth / Floor mounting frame



**Description:** Enclosure and plinth are anchored together on the floor. Fixing points for anchoring are marked off on the inside bottom panel.  
**Material:** Fibre-glass reinforced polyester.  
**Finish:** RAL 7035.  
**Delivery:** Plinth, metal braces M12, U-profiles, counter-profiles and mounting accessories.

For enclosure			
H	W	D	Part No.
65	500	320	UPP5032
	750	320	UPP7532
	1000	320	UPP10032
	1250	320	UPP12532

### UDS, Door stop/Panel stop



**Description:** To secure the door/panel in an open position. Mounted directly to the door and body. Machining is not required.  
**Material:** Steel.  
**Delivery:** 1 piece with mounting accessories.

Description	Part No.
Left turning	UDS01
Right turning	UDS02

*\*Valid for enclosures starting with 750 mm width*

### UAV, Air vents

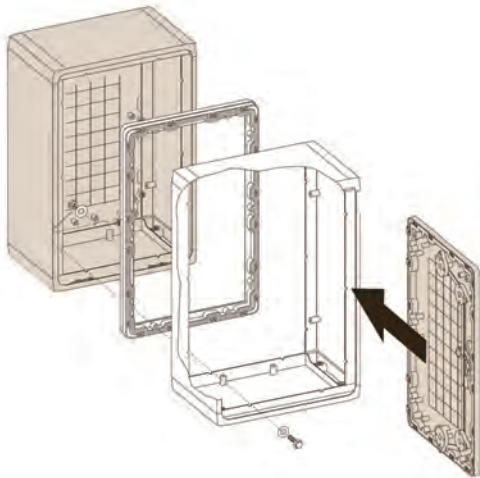


**Description:** Two air vents must be mounted per enclosure to ensure sufficient air circulation and prevent water condensation. Air vents are preferably mounted in the upper and lower part of the enclosure. Degree protection: IP 44.  
**Material:** Polyamide  
**Delivery:** Set of 2 pieces with mounting accessories.

Description	Part No.
UAV01	UAV01

## Uniplast Modular accessories

### UDE, Depth extension kit



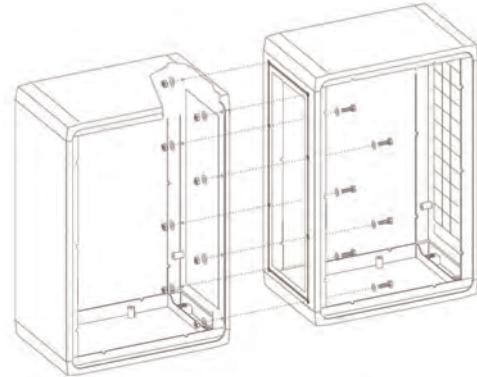
**Description:** Increases the standard depth (320mm) of the enclosure up to 640mm. When this accessory is used the rain hood cannot be used.

**Finish:** RAL 7035

**Delivery:** 2 side panels, one top and one bottom panel, two open back panels and mounting accessories.

For enclosure			Part No.
H	W		
500	500		UDE5050
	750		UDE5075
750	500		UDE7550
	750		UDE7575
	1000		UDE75100
1000	1250		UDE75125
	500		UDE10050
	750		UDE10075
	1000		UDE100100
1250	1250		UDE100125
	750		UDE12575
	1000		UDE125100

### UCK, Combining kit

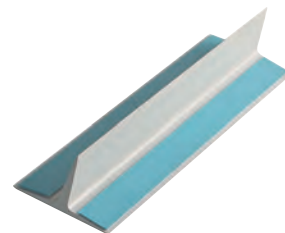


**Description:** Kit to allow vertical and/or lateral combinations. Machining is required.

**Delivery:** Neoprene gasket, combining bolts, protection profiles and mounting accessories.

For enclosure				
D	d	H or W	h or w	Part No.
320	200	500	330	UCK500
		750	580	UCK750
		1000	830	UCK1000
		1250	1080	UCK1250

### UCP 1, Corner profile



**Description:** Fills the corner between two coupled enclosures. Length: 308mm.

**Finish:** RAL 7035.

**Delivery:** 2 pieces.

Part No.
UCP01



## Uniplast Modular accessories

### UID, Inner door



**Description:** For controls, meters, lamps, etc. Hinges can be mounted to allow left or right hand opening. Lock double-bit 3mm insert.

**Material:** Fibre-glass reinforced polyester.

**Finish:** RAL 7035.

**Protection:** IP 20.

**Delivery:** 1 piece with mounting accessories.

For enclosure		Part No.
H	W	
500	500	UID5050
	750	UID5075
750	500	UID7550
	750	UID7575
1000	500	UID10050
	750	UID10075

### UDH M, Handles



**Description:** Swinghandle to replace the standard one.

**Delivery:** 1 piece with mounting accessories.

Description	Part No.
For profile half cylinder lock (as replacement)	UDH01
For two profile half cylinder locks	UDH02
For pad-locking (max dim. 10mm)	UDH03

### LSSU, Profile half cylinder locks



**Description:** Profile half cylinder locks. To be used in the swinghandles UDH.

**Delivery:** 1 piece.

Description	Part No.
Profile half cylinder Ronis key C21323	LSSU521
Profile half cylinder Ronis key 2132E	LSSU5212132E
Profile half cylinder Ronis key 3121E	LSSU5213121E
Square 7mm	LSSU523
Square 8mm	LSSU524
Triangle 7mm	LSSU526
Triangle 8mm	LSSU527
Double-bit 3mm	LSSU528
Double-bit 5mm	LSSU529
Daimler Benz	LSSU530

\* Other key numbers available on request.